



# SUTRAK A.Ş.

## Coldline

[www.sutrak.com.tr](http://www.sutrak.com.tr)

## Hakkımızda

Kurulduđu 1985 yılından bu yana Eberspacher-Sütrak ürünlerinin, Türkiye temsilciliđini yapmakta olan Sütrak Klima ve Sođutucu Cihazlar İmalat Sanayi ve Ticaret A.Ş.; 1993 yılından bu yana da kendi teknoloji, tasarım ve uygulamaları ile müşterilerine uygun, genel ve özel çözümler sunmaktadır.

İstanbul, Adapazarı ve Adana'daki üretim tesislerinde AR-GE bilinci almış, kaliteli üretim ilkesini benimsemiş personeli ile gerek Türk gerekse yabancı Otomotiv Ana Sanayi ve Savunma Sanayi kuruluşlarına hizmet vermektedir. Sütrak A.Ş. kendi alanında Türkiye'nin lider kuruluşlarından biri olarak, hem ticari araç hem de savunma sanayinde fikri mülkiyet hakları kendisine ait iklimlendirme sistemleri, araç konfor ürünleri (araç tuvaleti ve buzdolabı) geliştirmekte ve üretmektedir.

## About us

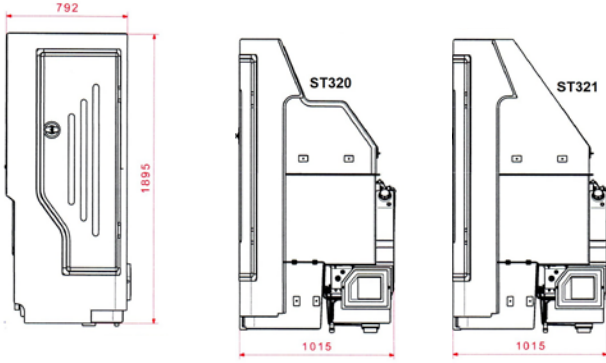
*Sütrak Klima A.Ş. was established as the exclusive distributor of Eberspacher-Sütrak products in Turkey in 1985. Since 1993, the company has also been designing and producing standardized and custom-made products through technologies developed in-house. Thanks to its highly qualified and experienced personnel, Sütrak Klima A.Ş. works as an innovation partner to major suppliers in automotive and defense industries. Cooperation and mutual trust with customers are at the core of the company's culture and Sütrak Klima A.Ş. is widely recognized for its ability to respond to customer needs on a timely basis irrespective of where they may be. The company currently has manufacturing sites in Istanbul, Adapazarı and Adana.*

**SÜTRAK A.Ş.**

SÜTRAK A.Ş.

## MODEL: COLDLINE ST 320 - ST 321

DESIGNED & PRODUCED BY SÜTRAK A.Ş.



LIGHTWEIGHT



EFFICIENT

### COLDLINE ST 320 - ST 321 (CENTER-DOOR)

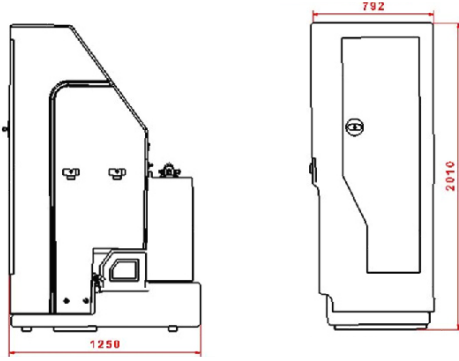
FRESH WATER TANK CAPACITY	35 Lt
WASTE WATER TANK CAPACITY	30 Lt
MOTOR FLOW RATE	10,6 L/Min.
PNEUMATIC VALVES	2 Pcs
HANDWASH PUMP	Standard
SOAP DISPENSER	Standard
PAPER TISSUE DISPENSER	Standard
WEIGHT	110 Kg
OPERATING VOLTAGE	24 V DC - 27 V DC
WIDTH	792 mm
LENGTH	1015 mm
HEIGHT	1895 mm
FRESH WATER FLUSH (WF)	Standard
CHEMICAL FLUSH (CF)	Option
DUAL TYPE FLUSH (WF + CF)	Option

# Coldline

www.sutrak.com.tr

## MODEL: COLDLINE ST 322

DESIGNED & PRODUCED BY SÜTRAK A.Ş.



LIGHTWEIGHT



EFFICIENT

### COLDLINE ST 322 (CENTER-DOOR)

FRESH WATER TANK CAPACITY	120 Lt
WASTE WATER TANK CAPACITY	150 Lt
MOTOR FLOW RATE	10,6 L/Min.
PNEUMATIC VALVES	2 Pcs
HANDWASH PUMP	Standard
SOAP DISPENSER	Standard
PAPER TISSUE DISPENSER	Standard
WEIGHT	160 Kg
OPERATING VOLTAGE	24 V DC - 27 V DC
WIDTH	792 mm
LENGTH	1250 mm
HEIGHT	2010 mm
FRESH WATER FLUSH (WF)	Standard
CHEMICAL FLUSH (CF)	Option
DUAL TYPE FLUSH (WF + CF)	Option

# Coldline

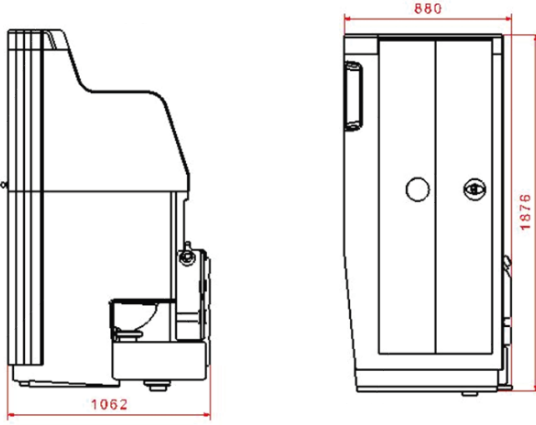
www.sutrak.com.tr

04

# SÜTRAK A.Ş.

## MODEL: COLDLINE ST 323

DESIGNED & PRODUCED BY SÜTRAK A.Ş.



LIGHTWEIGHT



EFFICIENT

### COLDLINE ST 323 (CENTER-DOOR)

FRESH WATER TANK CAPACITY	35 Lt
WASTE WATER TANK CAPACITY	25 Lt
MOTOR FLOW RATE	10,6 L/Min.
PNEUMATIC VALVES	2 Pcs
HANDWASH PUMP	Standard
SOAP DISPENSER	Standard
PAPER TISSUE DISPENSER	Standard
WEIGHT	140 Kg
OPERATING VOLTAGE	24 V DC - 27 V DC
WIDTH	880 mm
LENGTH	1062 mm
HEIGHT	1876 mm
FRESH WATER FLUSH (WF)	Standard
CHEMICAL FLUSH (CF)	Option
DUAL TYPE FLUSH (WF + CF)	Option
FOLDABLE DOOR	Option

# Coldline

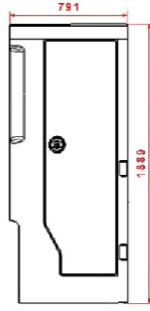
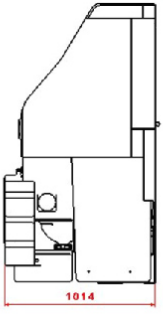
www.sutrak.com.tr

05

# SÜTRAK A.Ş.

## MODEL: COLDLINE ST 324

DESIGNED & PRODUCED BY SÜTRAK A.Ş.



LIGHTWEIGHT



EFFICIENT

### COLDLINE ST 324 (CENTER-DOOR)

FRESH WATER TANK CAPACITY	35 Lt
WASTE WATER TANK CAPACITY	35 Lt
MOTOR FLOW RATE	10,6 L/Min.
PNEUMATIC VALVES	2 Pcs
HANDWASH PUMP	Standard
SOAP DISPENSER	Standard
PAPER TISSUE DISPENSER	Standard
WEIGHT	110 Kg
OPERATING VOLTAGE	24 V DC - 27 V DC
WIDTH	791 mm
LENGTH	1014 mm
HEIGHT	1889 mm
FRESH WATER FLUSH (WF)	Standard
CHEMICAL FLUSH (CF)	Option
DUAL TYPE FLUSH (WF + CF)	Option

# Coldline

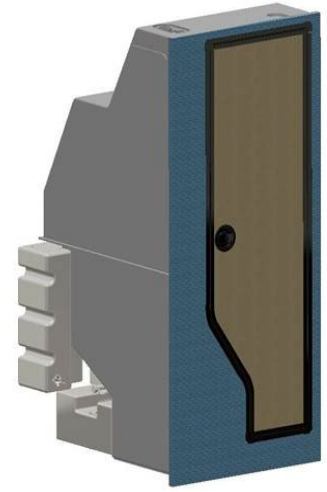
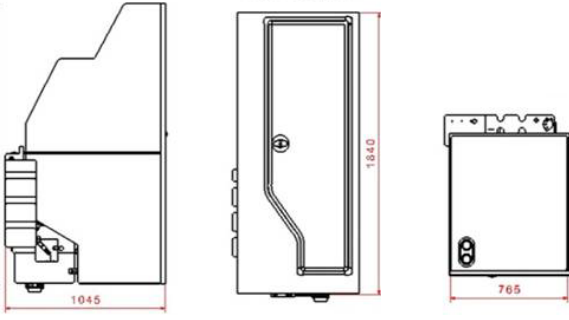
www.sutrak.com.tr

06

# SÜTRAK A.Ş.

## MODEL: COLDLINE ST 325

DESIGNED & PRODUCED BY SÜTRAK A.Ş.



LIGHTWEIGHT



EFFICIENT

### COLDLINE ST 325 (CENTER-DOOR)

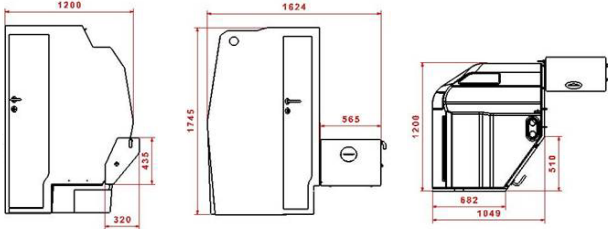
FRESH WATER TANK CAPACITY	35 Lt
WASTE WATER TANK CAPACITY	30 Lt
MOTOR FLOW RATE	10,6 L/Min.
PNEUMATIC VALVES	2 Pcs
HANDWASH PUMP	Standard
SOAP DISPENSER	Standard
PAPER TISSUE DISPENSER	Standard
WEIGHT	110 Kg
OPERATING VOLTAGE	24 V DC - 27 V DC
WIDTH	765 mm
LENGTH	1045 mm
HEIGHT	1840 mm
FRESH WATER FLUSH (WF)	Standard
CHEMICAL FLUSH (CF)	Option
DUAL TYPE FLUSH (WF + CF)	Option

# Coldline

www.sutrak.com.tr

## MODEL: COLDLINE ST 326

DESIGNED & PRODUCED BY SÜTRAK A.Ş.



LIGHTWEIGHT



EFFICIENT

### COLDLINE ST 326 (REAR)

FRESH WATER TANK CAPACITY	40 Lt
WASTE WATER TANK CAPACITY	40 Lt
MOTOR FLOW RATE	10,6 L/Min.
PNEUMATIC VALVES	1 Pcs
HANDWASH PUMP	Standard
SOAP DISPENSER	Standard
PAPER TISSUE DISPENSER	Standard
WEIGHT	140 Kg
OPERATING VOLTAGE	24 V DC - 27 V DC
WIDTH	1049 mm
LENGTH	1200 mm
HEIGHT	1745 mm
FRESH WATER FLUSH (WF)	Standard
CHEMICAL FLUSH (CF)	Option
DUAL TYPE FLUSH (WF + CF)	Option

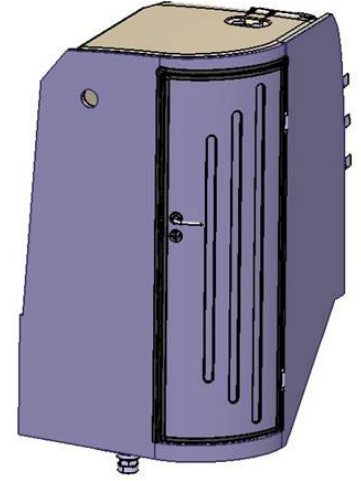
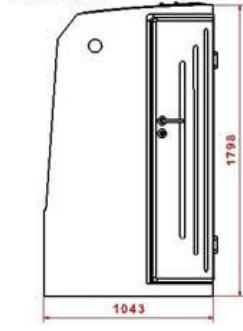
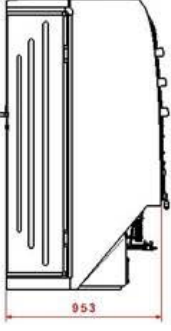
# Coldline

www.sutrak.com.tr



## MODEL: COLDLINE ST 327

DESIGNED & PRODUCED BY SÜTRAK A.Ş.



LIGHTWEIGHT



EFFICIENT

### COLDLINE ST 327 (REAR)

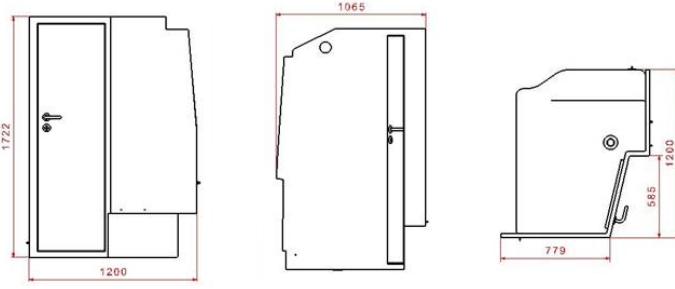
FRESH WATER TANK CAPACITY	Option
WASTE WATER TANK CAPACITY	80 Lt
MOTOR FLOW RATE	10,6 L/Min.
PNEUMATIC VALVES	Option
HANDWASH PUMP	Standard
SOAP DISPENSER	Standard
PAPER TISSUE DISPENSER	Standard
WEIGHT	120 Kg
OPERATING VOLTAGE	24 V DC - 27 V DC
WIDTH	953 mm
LENGTH	1043 mm
HEIGHT	1798 mm
FRESH WATER FLUSH (WF)	Standard
CHEMICAL FLUSH (CF)	Option
DUAL TYPE FLUSH (WF + CF)	Option

# Coldline

www.sutrak.com.tr

## MODEL: COLDLINE ST 328

DESIGNED & PRODUCED BY SÜTRAK A.Ş.



LIGHTWEIGHT



EFFICIENT

### COLDLINE ST 328 (REAR)

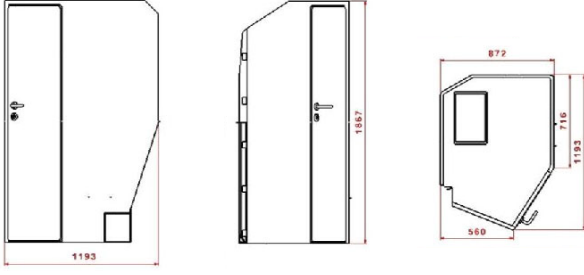
FRESH WATER TANK CAPACITY	Option
WASTE WATER TANK CAPACITY	50 Lt
MOTOR FLOW RATE	10,6 L/Min.
PNEUMATIC VALVES	Option
HANDWASH PUMP	Standard
SOAP DISPENSER	Standard
PAPER TISSUE DISPENSER	Standard
WEIGHT	125 Kg
OPERATING VOLTAGE	24 V DC - 27 V DC
WIDTH	779 mm
LENGTH	1200 mm
HEIGHT	1722 mm
FRESH WATER FLUSH (WF)	Option
CHEMICAL FLUSH (CF)	Standard
DUAL TYPE FLUSH (WF + CF)	Option

# Coldline

www.sutrak.com.tr

## MODEL: COLDLINE ST 329

DESIGNED & PRODUCED BY SÜTRAK A.Ş.



LIGHTWEIGHT



EFFICIENT

### COLDLINE ST 329 (REAR)

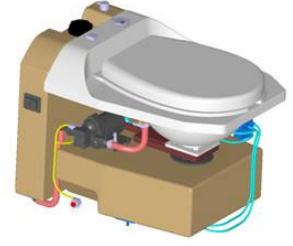
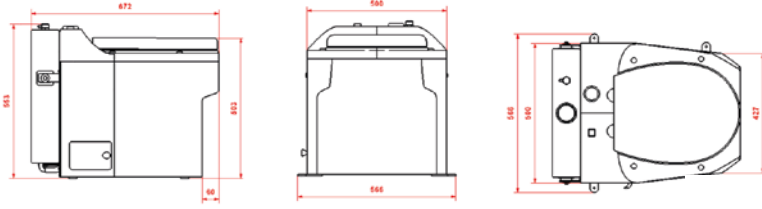
FRESH WATER TANK CAPACITY	Option
WASTE WATER TANK CAPACITY	55 Lt
MOTOR FLOW RATE	10,6 L/Min.
PNEUMATIC VALVES	Option
HANDWASH PUMP	Standard
SOAP DISPENSER	Standard
PAPER TISSUE DISPENSER	Standard
WEIGHT	135 Kg
OPERATING VOLTAGE	24 V DC - 27 V DC
WIDTH	872 mm
LENGTH	1193 mm
HEIGHT	1867 mm
FRESH WATER FLUSH (WF)	Option
CHEMICAL FLUSH (CF)	Standard
DUAL TYPE FLUSH (WF + CF)	Option

# Coldline

www.sutrak.com.tr

## MODEL: COLDLINE ST 330

DESIGNED & PRODUCED BY SÜTRAK A.Ş.



LIGHTWEIGHT



EFFICIENT

### COLDLINE ST 330 (MODULAR WC KIT)

FRESH WATER TANK CAPACITY	20 Lt
WASTE WATER TANK CAPACITY	25 Lt
MOTOR FLOW RATE	10,6 L/Min.
COVER WITH ESTHETIC APPEARANCE	Standard
PAPER TISSUE DISPENSER	Standard
WEIGHT	32 Kg
OPERATING VOLTAGE	24 V DC - 27 V DC
WIDTH	566 mm
LENGTH	672 mm
HEIGHT	553 mm
FRESH WATER FLUSH (WF)	Standard
CHEMICAL FLUSH (CF)	Option
DUAL TYPE FLUSH (WF + CF)	Option

# Coldline

www.sutrak.com.tr

## MODEL: COLDLINE ST 332

DESIGNED & PRODUCED BY SÜTRAK A.Ş.



LIGHTWEIGHT



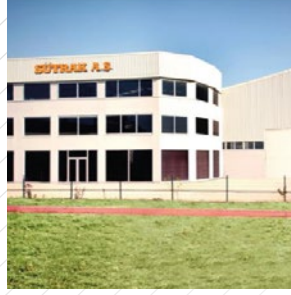
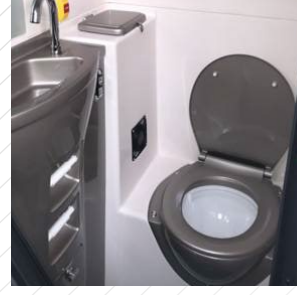
EFFICIENT

### COLDLINE ST 332

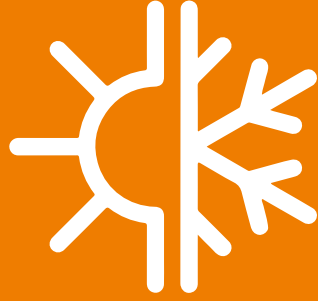
WASTE BIN	Standard
HAND WASH	Standard
HAND WASH PUMP	Standard
TOILET PAPER DISPENSER	Standard
SOAP DISPENSER	Standard
OPERATING VOLTAGE	24 V DC - 27 V DC
WIDTH	380 mm
LENGTH	420 mm
HEIGHT	1235 mm

# Coldline

[www.sutrak.com.tr](http://www.sutrak.com.tr)







HEATING  
AND  
COOLING

**SÜTRAK A.Ş.**  
**Coldline**

**SÜTRAK Klima ve Soğutucu Cihazlar İmalat San. ve Tic. A.Ş.**

Doğru Sanayi Sitesi 2.Blok No:4 34197 Yenibosna / İSTANBUL/TURKIYE - Phone : +90 212 503 90 57 / 58 - Fax : +90 212 503 89 81

[info@sutrak.com.tr](mailto:info@sutrak.com.tr)

[www.sutrak.com.tr](http://www.sutrak.com.tr)